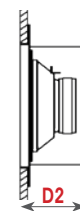
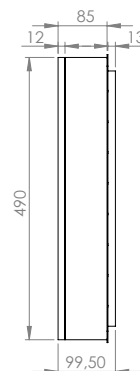
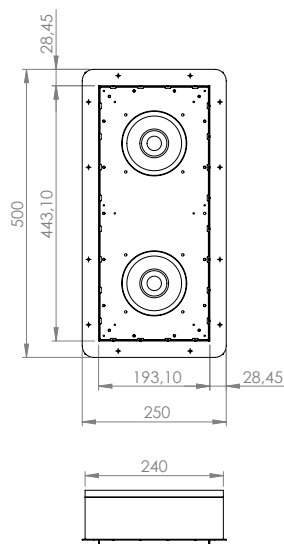


SIR23M**SIR23V****IN-WALL FOR FLUSH-MOUNT INSTALLATION**

Minimum depth recommended

**White front cover (Standard)****Loudspeaker****Backbox**Code: **41BXM**Code (8 Ω): **SIR23M**
Code (70V / 100V): **SIR23V**Code: **CR1944**

Dimensions HxWxD (cm) 44,0 x 19,0 x 0,8

Weight (Kg) 0,45

Finishes White
microperforated grille

Type Stereo / Mono

Components Glass fiber
double-conePower RMS / Max (8 Ω) Stereo=50+50 / 100+100
Mono=100 / 200

Power RMS W (70V / 100V) (50,0 - 37,5 - 25,0) x 2

Freq. resp. (Hz) 85 - 20k

Sensitivity dB (2,83V/1m) 88 + 88 / 94

Nom. impedance (Ω) 8 + 8 / 4

Protection IP66
Temperature range (°C) -20 / +100Woofer Ø (cm) 2 x 13,0
Tweeter voice coil Ø (cm)

Dimensions HxWxD (cm) 44,0 x 19,0 x 6,3

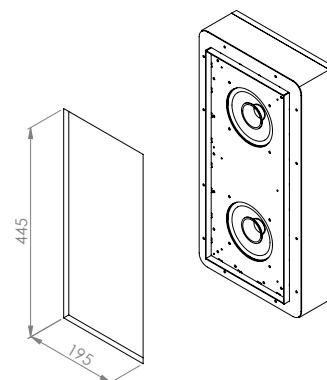
Weight (Kg) 1,81 / 2,61

Dimensions HxWxD (cm) 50,0 x 25,0 x 10,0

Installation hole
plasterboard 44,5 x 19,5 x 10,0 **D2**
HxWxD (cm)Installation hole
wall 50,5 x 25,5 x 10,0 **D2**
HxWxD (cm)

Weight (Kg) 1,76

Materials Stainless Steel + Wood

Marine
GrilleMarine
SpeakerMarine Steel
Frame

Wall



Plasterboard

70 / 100V Line Toroidal transformer G-Former™



Wiring Cablaggio Câblage Verdrahtung

Connect to speaker
Connessione al diffusore
Connexion à l'enceinte
Verbindung zum Lautsprecher

Connect to amplifier
Connessione all'amplificatore
Connexion à l'amplificateur
Verbindung zum Verstärker

0	Violet <i>Viola</i> Violet <i>Violett</i>	50 W	Brown <i>Marrone</i> Marron <i>Braun</i>
---	--	------	---

100 V	White <i>Bianco</i> Blanc <i>Weiß</i>	37,5 W	Red <i>Rosso</i> Rouge <i>Rot</i>
-------	--	--------	--

70 V	Green <i>Verde</i> Vert <i>Grün</i>	25 W	Blue <i>Blu</i> Bleu <i>Blau</i>
------	--	------	---

Common <i>Comune</i> Câble commun <i>Gemeinsames Kabel</i>	Black <i>Nero</i> Noir <i>Schwarz</i>
---	--

Specifications

Nominal power (W) <i>Potenza nominale (W)</i> Puissance nominale (W) <i>Nennleistung (W)</i>	50
---	----

Input voltage (V) <i>Tensione d'ingresso (V)</i> Tension d'entrée (V) <i>Eingangsspannung (V)</i>	70 / 100
--	----------

Frequency response (Hz) <i>Risp. in frequenza (Hz)</i> Rép. en fréquence (Hz) <i>Frequenzgang (Hz)</i>	40 - 21K
---	----------

Output power on 8 Ω (W) <i>Potenza di uscita su 8 Ω (W)</i> Puissance de sortie sur 8 Ω (W) <i>Ausgangsleistung auf 8 Ω (W)</i>	50,0 37,5 25,0
--	----------------------

Dimensions H x W x D (cm) <i>Dimensioni A x L x P (cm)</i> Dimensions H x L x P (cm) <i>Abmessungen H x B x D (cm)</i>	3,1 x 6,6 x 6,6
---	-----------------

IP Code Grado di protezione IP Indice de protection IP Schutzart	43
---	----

Weight (Kg) <i>Peso (Kg)</i> Poids (Kg) <i>Gewicht (Kg)</i>	0,39
--	------